

SMARTCAP[®]

Kitchen-Bin Installation Guide



FOLLOW INSTRUCTIONS CAREFULLY TO AVOID ANY DAMAGE TO YOUR SMARTCAP PRODUCT OR YOUR VEHICLE

IF YOU HAVE QUESTIONS OR CONCERNS, PLEASE DO NOT HESITATE TO CONTACT US AT:

SUPPORT.NA@RSISMARTCAP.COM - NORTH AMERICA

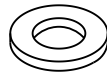
SUPPORT.SA@SMARTCAP.COM - INTERNATIONAL/SOUTH AFRICA



COMPONENTS



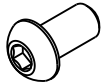
8X M6
NYLOC NUTS



8X M6
FLAT WASHERS

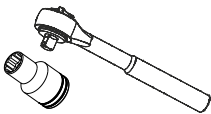


8X LOADSPREADER
PLATES

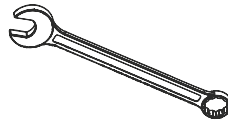


8X M6 X 12
BUTTON HEAD SCREW

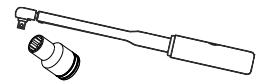
REQUIRED TOOLS



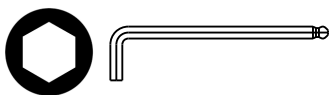
SOCKET AND WRENCH
10mm



COMBINATION WRENCH
10mm FLAT

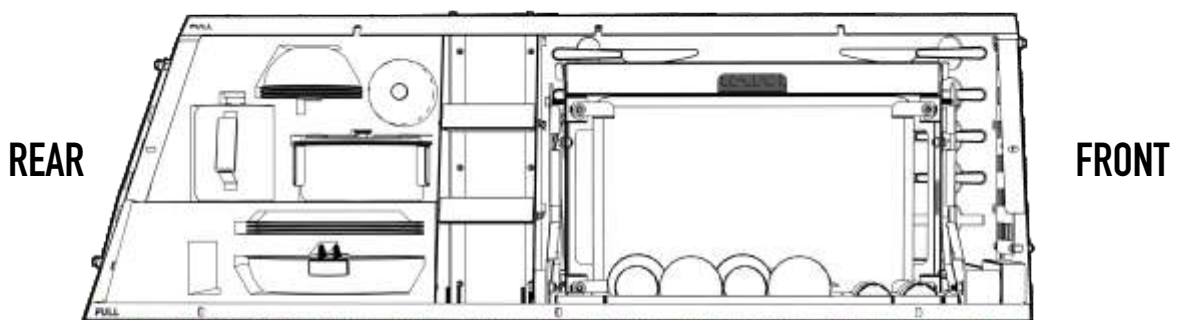


TORQUE WRENCH
10mm



ALLEN KEY SET

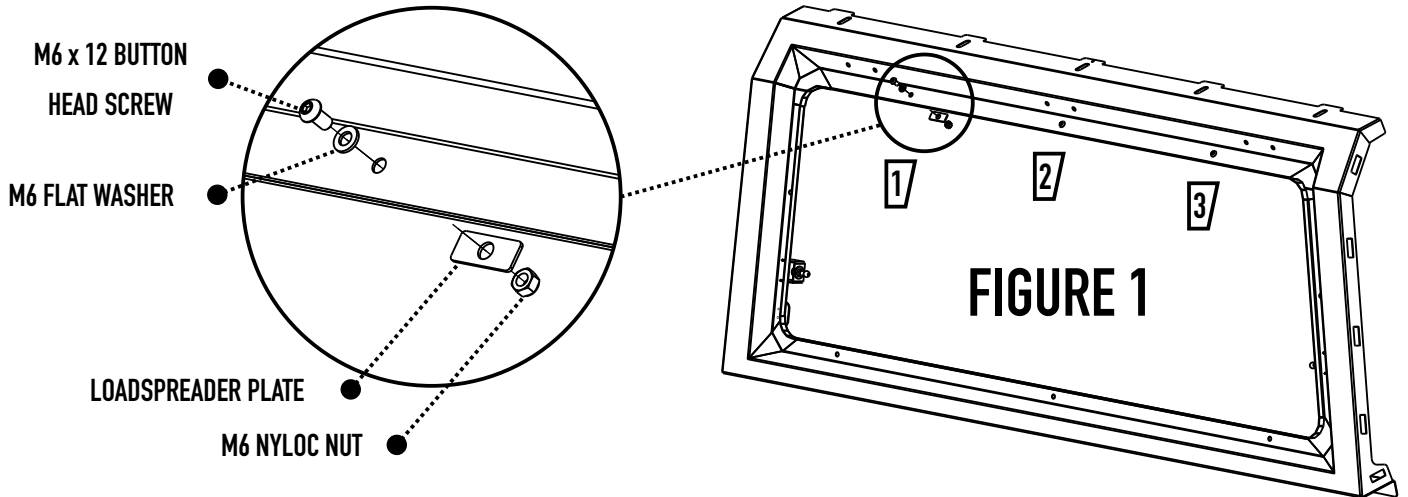
GULLWING BOX ORIENTATION:



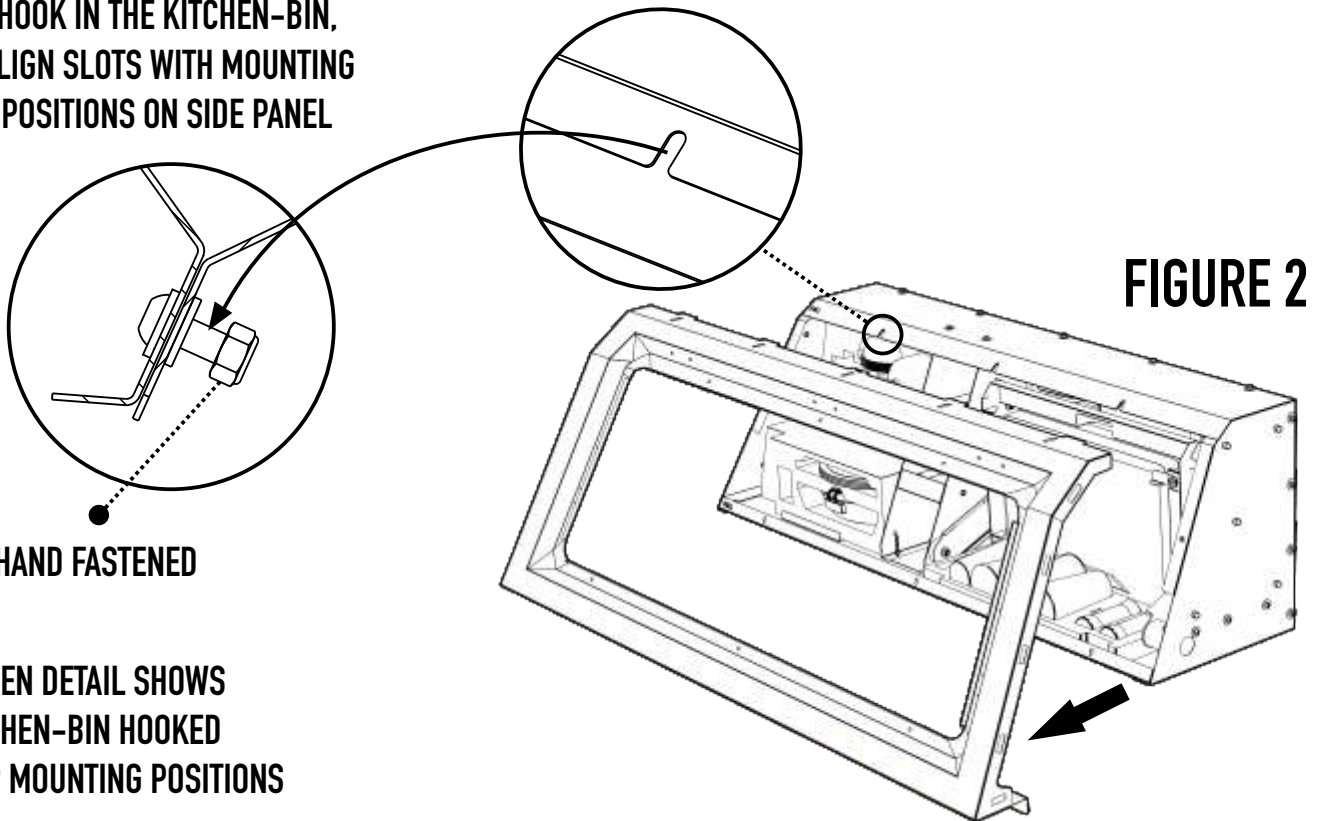
INSTALLATION OF THE ACCESSORY

STEP ONE

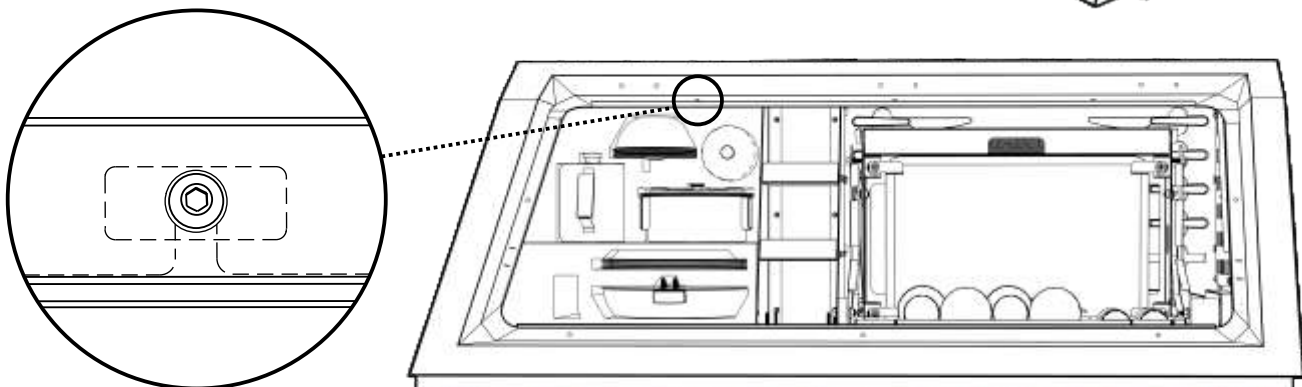
1. REMOVE PLASTIC WHITE CAPS FROM SIDE PANELS AND PROCEED WITH THE FOLLOWING...
2. HAND FASTEN HARDWARE ALONG TOP MOUNTING FACE ON THE SIDE PANEL (SEE FIGURE 1)
3. LIFT THE KITCHEN-BIN AND HOOK INTO POSITION, A MINIMUM OF 2 PEOPLE ARE RECOMMENDED TO LIFT AND ALIGN THE KITCHEN-BIN. (SEE FIGURE 2)



HOOK IN THE KITCHEN-BIN,
ALIGN SLOTS WITH MOUNTING
POSITIONS ON SIDE PANEL



HIDDEN DETAIL SHOWS
KITCHEN-BIN HOOKED
INTO TOP MOUNTING POSITIONS



INSTALLATION OF THE ACCESSORY

STEP TWO

1. WHEN THE TOP IS SECURED FOLLOW THE SAME FASTENING METHOD SHOWN IN FIGURE 3 FOR THE REST OF THE MOUNTING POINTS.
2. ALIGN THE LOADSPREADER PLATES WITH SIDE PANEL EDGE.(SEE FIGURE 4)
3. FASTEN ALL FASTENERS TO 9FT-LB.

