



StowAway Table Installation Guide



FOLLOW INSTRUCTIONS CAREFULLY TO AVOID ANY DAMAGE TO YOUR SMARTCAP PRODUCT OR YOUR VEHICLE

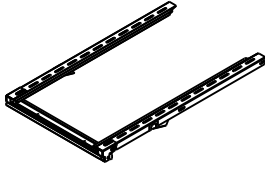
IF YOU HAVE QUESTIONS OR CONCERNS, PLEASE DO NOT HESITATE TO CONTACT US AT:

SUPPORT.NA@RSISMARTCAP.COM - NORTH AMERICA

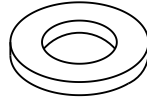
SUPPORT.SA@SMARTCAP.COM - INTERNATIONAL/SOUTH AFRICA



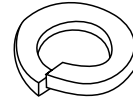
COMPONENTS



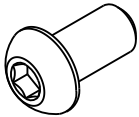
1X TABLE BRACKET



8X M8 X 20 FENDER WASHERS

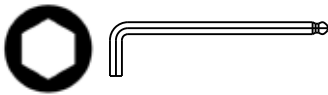


8X M8 SPRING WASHER



8X M8 X 20 BUTTON HEAD SCREWS

REQUIRED TOOLS



ALLEN KEY SET
4MM

DISCLAIMER

THE STOWAWAY TABLE BRACKET IS A UNIVERSAL MOUNTING BRACKET THAT FITS ALL SMARTCAP EVO SERIES CAPS, NO MATTER THE BED LENGTH. WE HAVE PRE-INSTALLED EIGHT RIVNUTS INTO ALL SMARTCAP ROOF PANELS (FOUR ON EACH SIDE). DEPENDING UPON THE SPECIFIC APPLICATION OF YOUR CAP, YOUR TABLE WILL ALIGN WITH AT LEAST FOUR OF THE RIVNUTS TO SECURELY ATTACH THE BRACKET, AND IF THE HOLES ALIGN, YOU CAN USE THE OTHERS (EITHER 6 OR 8 TOTAL) AS WELL. ALSO NOTE, THE SLOTS IN THE BRACKET ALLOW THE BRACKET TO BE MOUNTED AS CLOSE TO THE REAR DOOR AS POSSIBLE, MAKING IT EASIER TO REACH WHEN REMOVING THE TABLE.



WARNING

- ▼ ONLY USE THE RECOMMENDED TOOLS AS INDICATED IN THE INSTALLATION GUIDE.
- ▼ ONLY USE THE HARDWARE AS PROVIDED AND INDICATED IN THESE INSTRUCTIONS.
- ▼ HANDLE ALL SMARTCAP PRODUCTS WITH CARE UPON UNPACKING
- ▼ IT IS RECOMMENDED THAT A MINIMUM OF TWO PEOPLE INSTALL THE PRODUCT.
- ▼ NEVER USE ACETONE ON PAINTWORK.

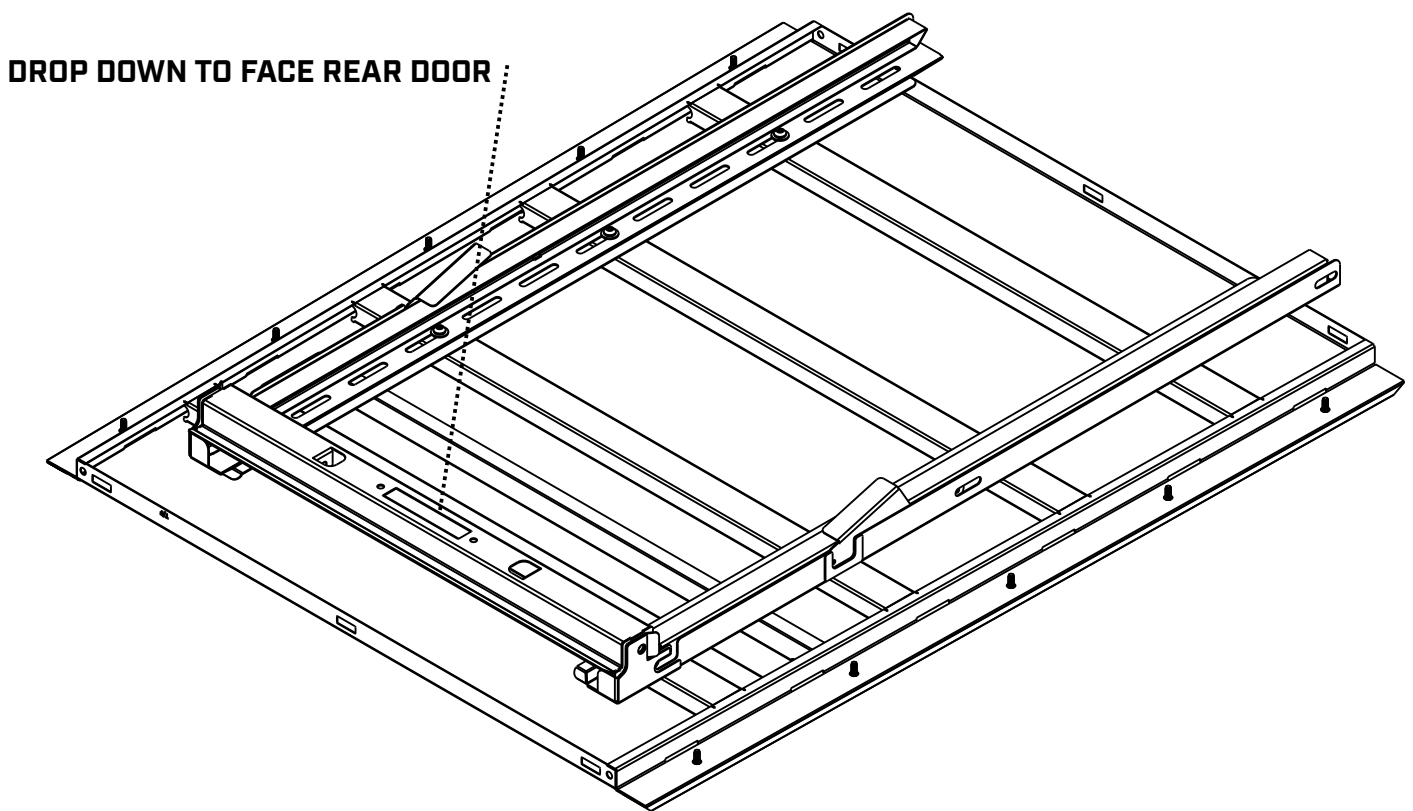
FITMENT OF THE STOWAWAY TABLE

STEP ONE

1. UNPACK ALL COMPONENTS & THE HARDWARE KIT FROM PACKAGING; ENSURE THAT EVERYTHING IS ACCOUNTED FOR AS INDICATED ON PAGE BEFORE.
2. PLACE ALL COMPONENTS DOWN ON A PROTECTED SURFACE TO PREVENT DAMAGE.

STEP TWO

1. PICK UP THE ROOF MOUNTED TABLE BRACKET AND POSITION IN PLACE, A MINIMUM OF 2 PEOPLE ARE RECOMMENDED FOR THE INSTALLATION.
2. MAKE SURE THE DROP DOWN SIDE IS FACING THE REAR OF THE SMARTCAP.
3. USE CAUTION WHEN WORKING TO AVOID ANY DAMAGES.

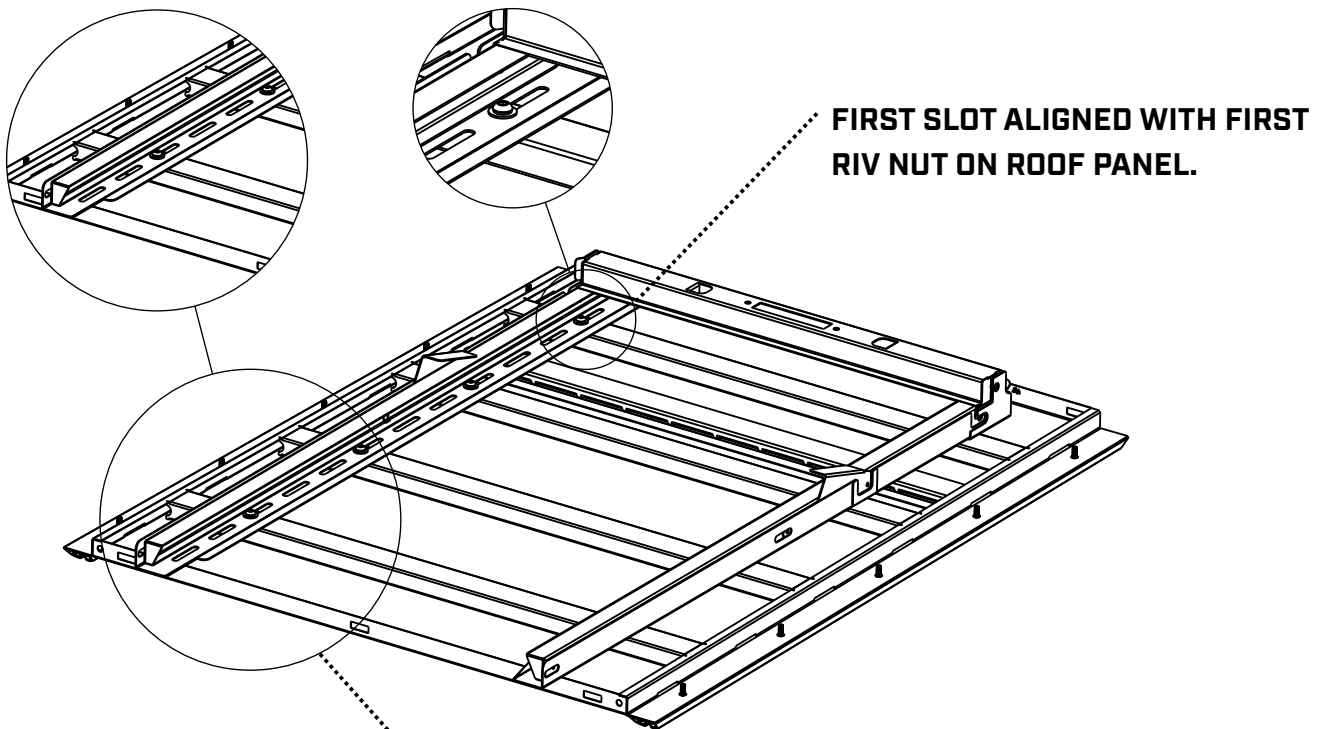
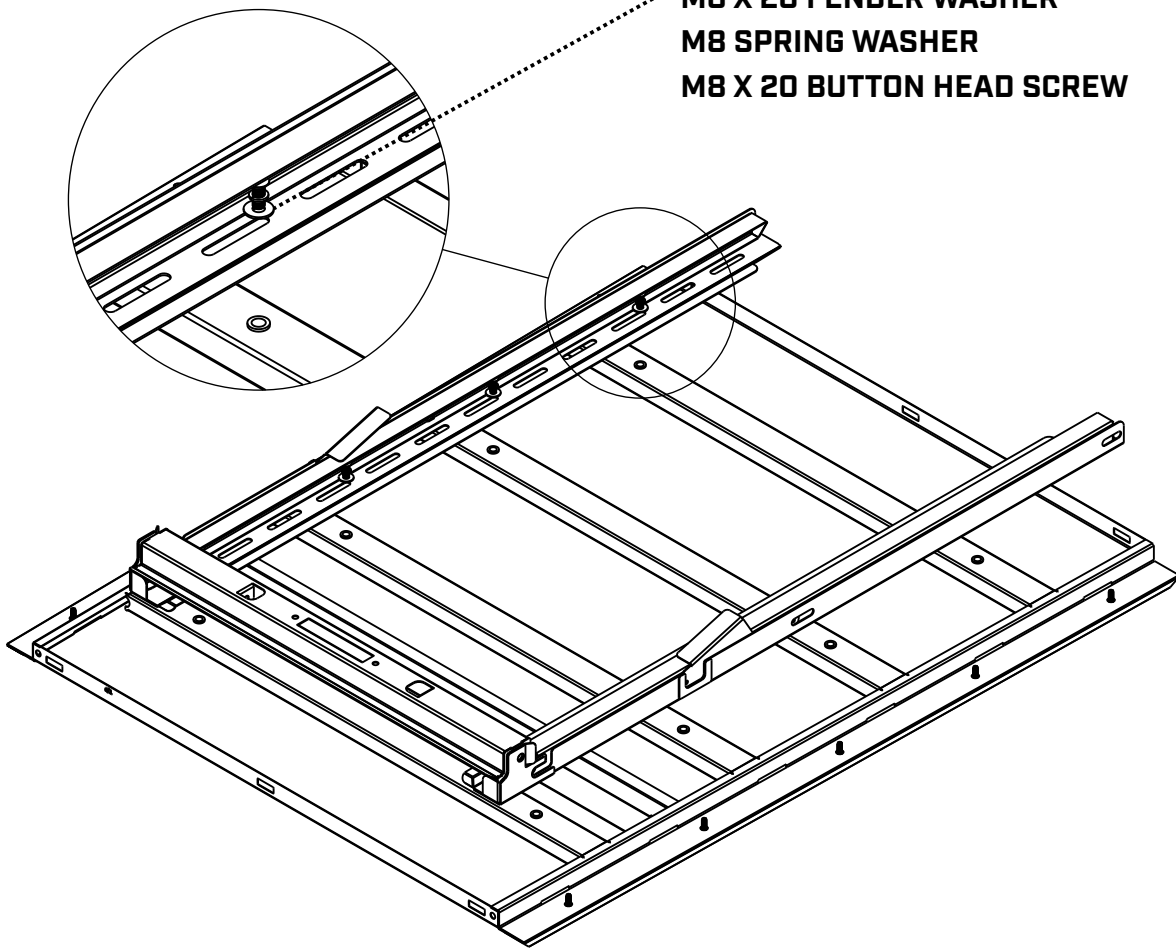


STEP THREE

1. ALIGN THE FIRST SLOT OF THE TABLE BRACKET WITH THE FIRST RIV NUT INSTALLED IN THE ROOF OF THE SMARTCAP.
2. USE HARDWARE DEPICTED BELOW TO FASTEN IN PLACE.
3. HAND FASTEN THE HARDWARE FIRST.
4. ONCE THE FIRST SLOT IS HAND FASTENED WITH ITS HARDWARE, HAND FASTEN ALL THE OTHER FASTENING POINTS THAT LINE UP.
5. THE TABLE BRACKET SHOULD LINE UP WITH AT LEAST 4 FASTENING POINTS.
6. ONCE THE FASTENING POINTS ARE HAND FASTENED WITH THE DEPICTED HARDWARE, SLIDE THE ROOF MOUNTED TABLE BRACKET AS CLOSE TO THE REAR DOOR AS POSSIBLE BEFORE FASTENING THE HARDWARE (TOWARDS THE TAILGATE).
7. DO NOT OVER TIGHTEN THE HARDWARE.
8. PLEASE USE CAUTION WHEN WORKING TO AVOID ANY UNNECESSARY FORMS OF DAMAGE.

FITMENT OF THE STOWAWAY TABLE

M8 X 20 FENDER WASHER
M8 SPRING WASHER
M8 X 20 BUTTON HEAD SCREW



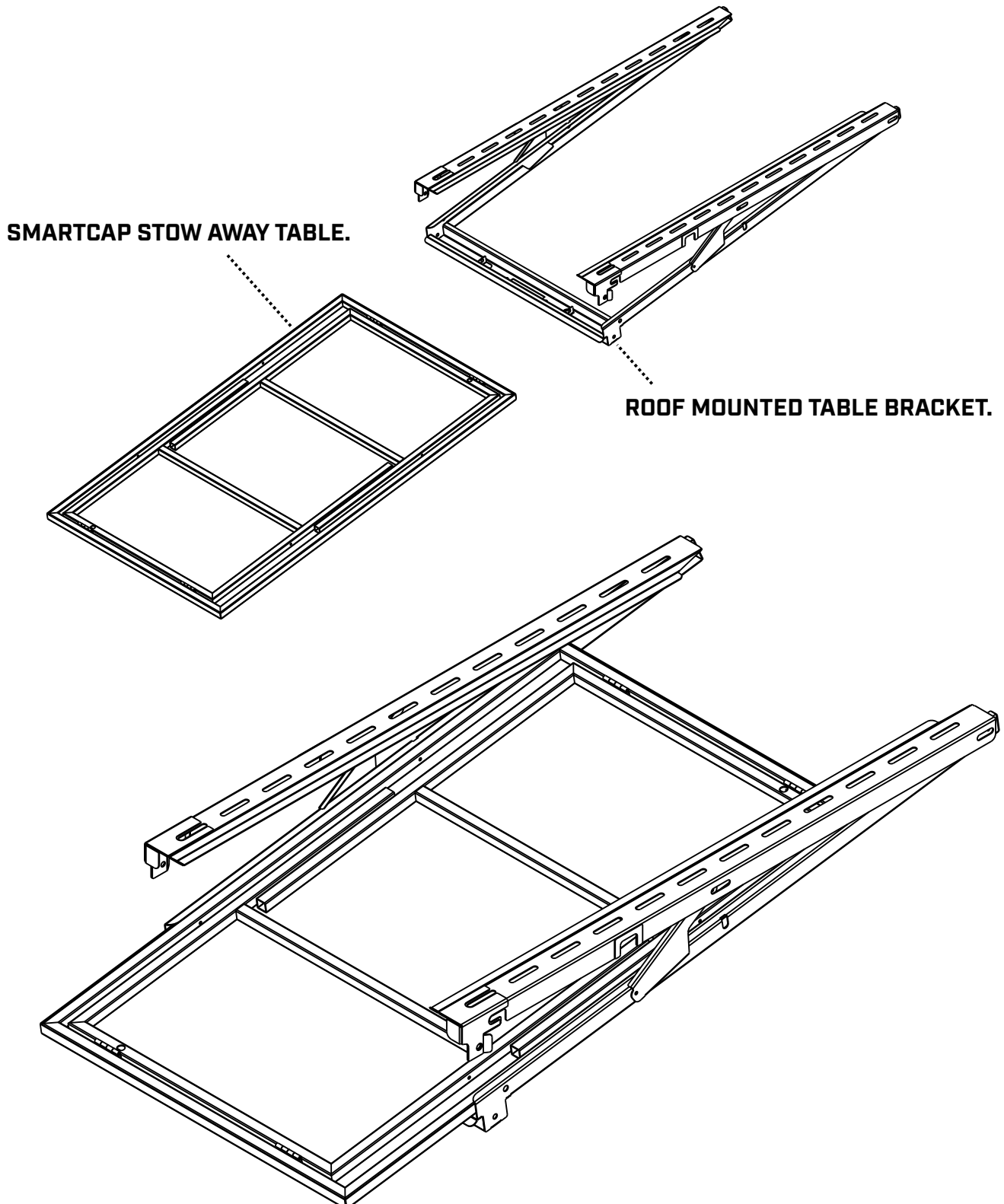
FIRST SLOT ALIGNED WITH FIRST RIV NUT ON ROOF PANEL.

ALIGN ALL OTHER FASTENING POINTS AND FASTEN SUFFICIENTLY.

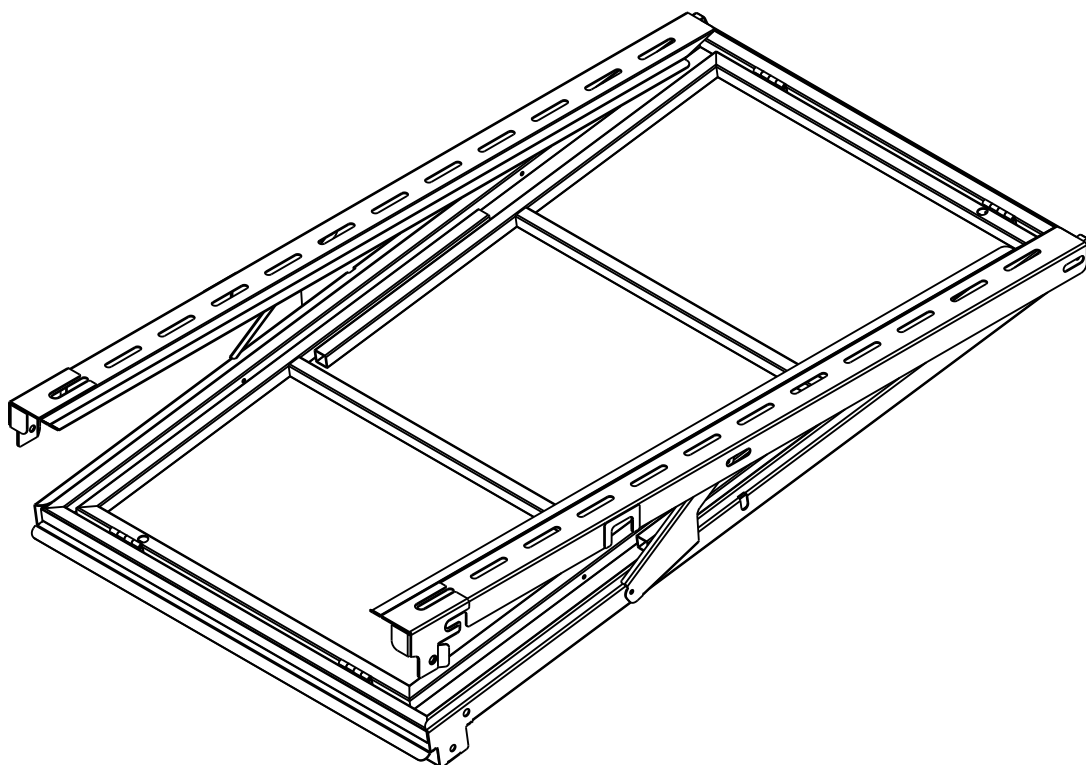
FITMENT OF THE STOWAWAY TABLE

STEP FOUR

1. ONCE THE ROOF TABLE BRACKET IS SECURED TO THE ROOF OF THE SMARTCAP, SLIDE THE SMARTCAP STOW AWAY TABLE INTO THE ROOF MOUNTED BRACKET.
2. THE FLAT SIDE OF THE TABLE HAS TO BE FACING DOWN. [SEE IMAGE DEPICTED BELOW.]
3. USE CAUTION WHEN SLIDING THE SMARTCAP STOW AWAY TABLE INTO THE ROOF MOUNTED TABLE BRACKET.

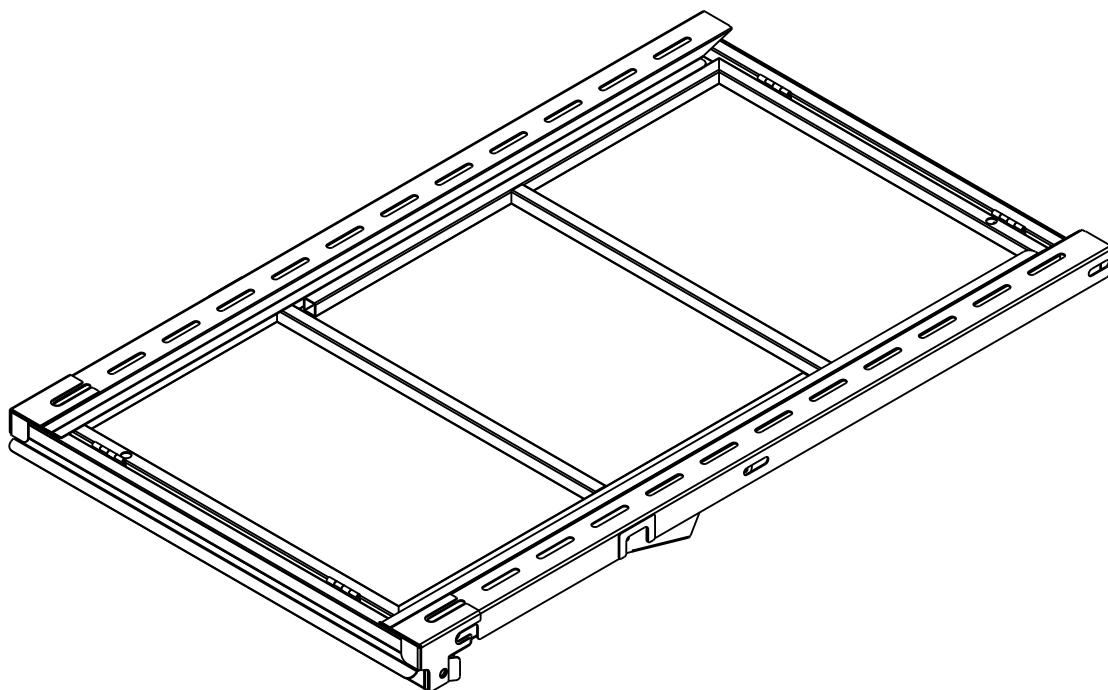


FITMENT OF THE STOWAWAY TABLE



STEP FIVE

1. ONCE THE SMARTCAP STOW AWAY TABLE IS SLID INTO THE ROOF MOUNTED TABLE BRACKET, CLOSE AND LOCK THE TABLE BRACKET INTO ITS CLOSED POSITION.
2. USE CAUTION WHEN CLOSING THE ROOF MOUNTED TABLE BRACKET.



SMARTCAP.COM